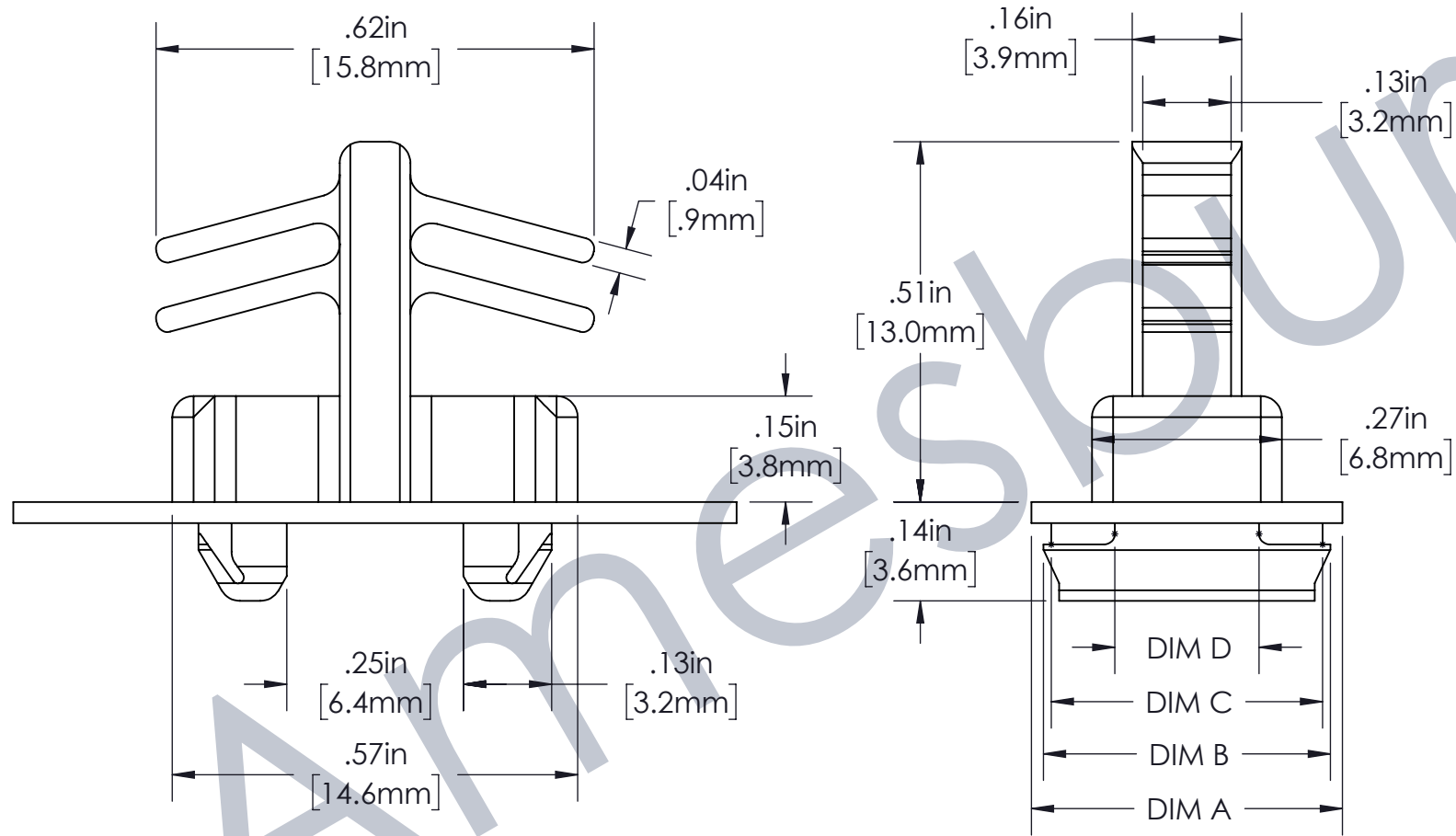


PART NO	AIRSPACE	DIM A	DIM B	DIM C	DIM D
12546	15/32	.44	.41	.38	.20
12547	17/32	.50	.47	.45	.27
13012	19/32	.57	.53	.51	.33
12548	21/32	.63	.59	.57	.39



CUSTOMER PAGE

<p>Amesbury Truth Engineered Solutions. Trusted Results.</p>	INTERPRET PER: ASME Y14.5M-2009 UNITS: INCH	DRAWING TITLE: 5/8 x 3/8 GRID CLIP	
	THIRD ANGLE PROJECTION 	SCALE: 4:1 DRAWING #: TB-12545	
<small>THE INFORMATION CONTAINED IN THIS DRAWING IS CONFIDENTIAL AND PROPRIETARY. THIS DRAWING IS NOT TO BE COPIED OR REPRODUCED IN WHOLE OR IN PART WITHOUT EXPRESS WRITTEN PERMISSION.</small>		SHEET 1 OF 1	